

1

2

3

4

A

A

B

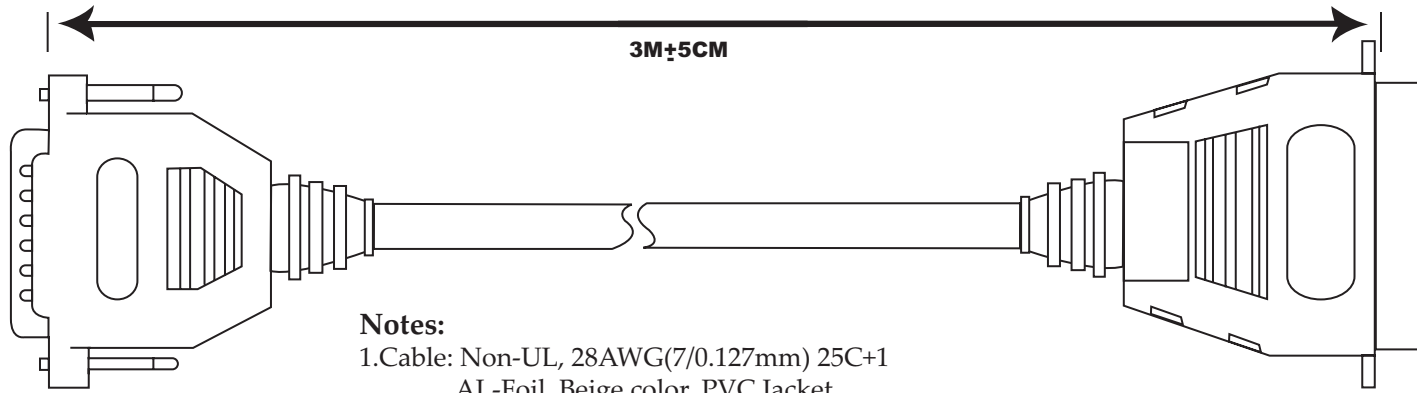
B

C

C

D

D



Notes:

- 1.Cable: Non-UL, 28AWG(7/0.127mm) 25C+1 AL-Foil, Beige color. PVC Jacket
- 2.Lenth: 3M(General Error)
- 3.Connector: D-Sub Connection 25 male *1
Connector:Centronic 36 male *1
Contact: Gold Flash
- 4.Hood: Plastic Hood Ass’y with speedy-hood.

5.Electrical Test:

- A. 100% Open short test
- B. Insulation resistance:500K.

6.Conifuration:

D25P	1	2	3	...	14	15	16	17	18	19	20	21	22	23	24	25	Shield
---	---	---	---	---	---	---	---	---	---	---	---	---	---	---	---	---	---
CN36P	1	2	3	...	14	32	31	36	33	19	21	23	25	27	29	30	Shield



Description	
Name :	AK102-3-R

THIS DRAWING IS UNPUBLISHED
 © Copyright 2005 by Assmann Electronic Components All International Rights Reserved
 This drawing is a controlled document for Assmann Electronics, Inc. It is subject to change and the controlling engineering organization should be contacted for the latest revision.

1

2

3

4